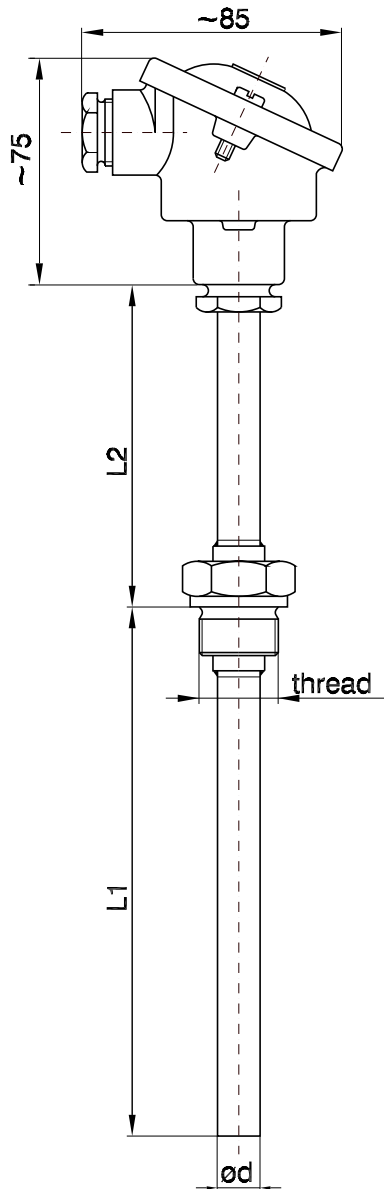


Thermocouples with connection head Series 254



Thermocouple with exchangeable measuring insert

Construction

Basic implementation
Ex-implementation (intrinsically safe)

Connection head

Form B according DIN 43 729
Form BUZ for explosion-proof design according DIN 43 729
on inquiry

Protection classification

IP 54 according DIN 60529
on inquiry

Application temperature

up to +800 °C

Thermo junction

J (Fe-CuNi) DIN EN 60584
K (NiCr-Ni) DIN EN 60584
on inquiry

Number of Thermo junction

1 thermocouple
2 thermocouples

Wire size

1 mm

Protective tube material

1.4571

Protective tube diameter d

11 mm
on inquiry

Insert length L_1

on inquiry

Thermocouples
with connection head
Series 254

extension tube length L₂

130 mm
on inquiry

Thread

M20x1,5
M27x2
G1/2A
G3/4A
on inquiry