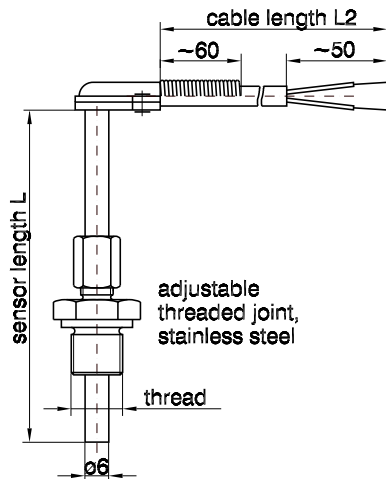


Thermocouples

Cable sensors

Series K7T



Application temperature

on inquiry, dependent on sensor and protective tube material

Thermo junction

J (Fe-CuNi) DIN EN 60584

K (NiCr-Ni) DIN EN 60584

Number of Thermo junction

1 thermocouple

2 thermocouples

Protective tube material

1.4571

on inquiry

Protective tube diameter d

6 mm

on inquiry

Sensor length L

on inquiry (length of screwing +10 ... 1000 mm)

Type of compensating cable

on inquiry

Cable length L₂

on inquiry min. 100 mm

Bend protection

without

with spiral spring

Thread

M10x1

G1/4A

G1/2A

on inquiry

Connector

free ends

connector on inquiry

declare desired temperature range for case of application