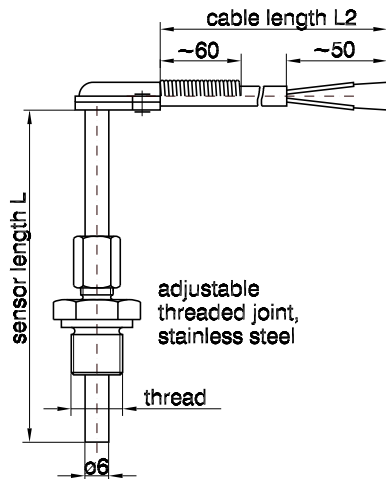


Resistance thermometers

Cable sensors

Series K7W



Application temperature

on inquiry, dependent on sensor and protective tube material

Temperatursensor

1xPt 100 cl. F0,15 acc. to DIN EN 60751

1xPt 100 cl. F0,3 acc. to DIN EN 60751

2xPt 100 cl. F0,15 acc. to DIN EN 60751

2xPt 100 cl. F0,3 acc. to DIN EN 60751

on inquiry

Circuitry

2 wire circuit

3 wire circuit

4 wire circuit for 1xPt100

Protective tube material

1.4571

on inquiry

Protective tube diameter d

6 mm

on inquiry

Sensor length L

on inquiry (length of screwing +10 ... 1000 mm)

Type of connection cable

on inquiry

Cable length L₂

on inquiry min. 100 mm

Bend protection

without

with spiral spring

Thread

M10x1

G1/4A

G1/2A

on inquiry

Resistance thermometers

Cable sensors

Series K7W

Connector

free ends
connector on inquiry

declare desired temperature range for case of application